



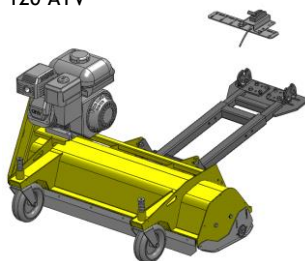
**RAMMY**

Rammy is ready for use. Engine has oil in ready. ATV or UTV needs a winch and center mounting kit.



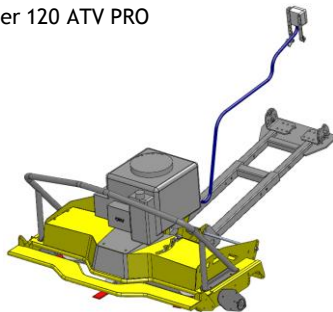
## Mowers

Flail mower 120 ATV  
306 cm3



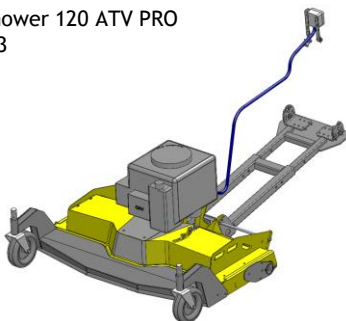
### PROFESSIONAL SERIES

Brush cutter 120 ATV PRO  
344 cm3



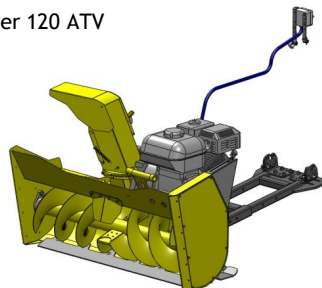
### PROFESSIONAL SERIES

Lawn mower 120 ATV PRO  
344 cm3

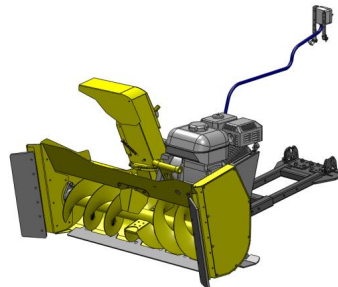


## Snowblowers

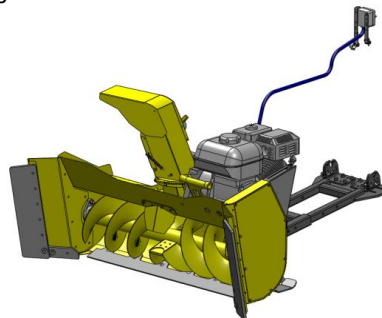
Snowblower 120 ATV  
306 cm3



Snowblower 140 ATV  
306 cm3

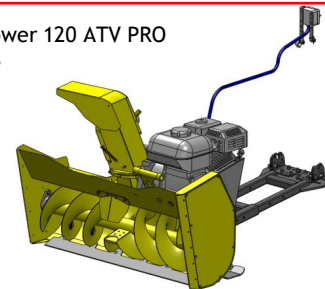


Snowblower 155 UTV  
306 cm3



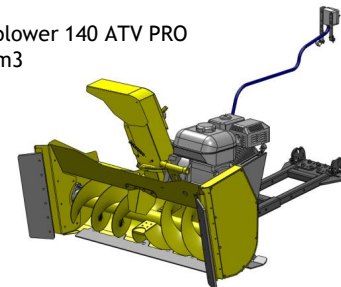
### PROFESSIONAL SERIES

Snowblower 120 ATV PRO  
420 cm3



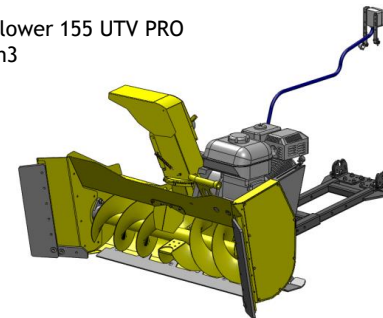
### PROFESSIONAL SERIES

Snowblower 140 ATV PRO  
420 cm3



### PROFESSIONAL SERIES

Snowblower 155 UTV PRO  
420 cm3



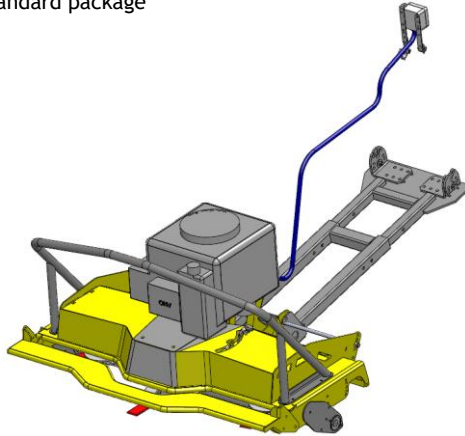


Rammy is ready for use. Engine has oil in ready. ATV or UTV needs a winch and center mounting kit.

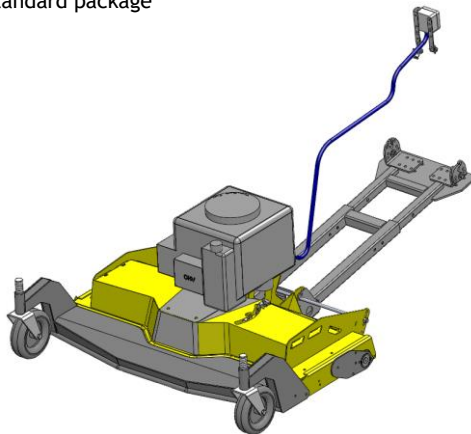


## Product package

Standard package





Standard package




## Prices VAT 0%

### PROFESSIONAL SERIES

		Code	Customer price
	<b>Brush cutter 120 ATV PRO</b>	74130837	3508 €
	Side shift kit, included as standard.	74131183	
	Lock hook mounting 16/19/20 mm 2 pcs	74130298	32 € /pair

### PROFESSIONAL SERIES

		Code	Customer price
	<b>Lawn mower 120 ATV PRO</b>	74131182	3508 €
	Side shift kit, included as standard.	74131183	
	Lock hook mounting 16/19/20 mm 2 pcs	74130298	32 € /pair



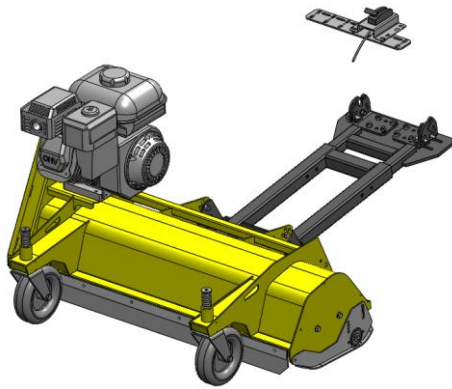
Rammy is ready for use. Engine has oil in ready. ATV or UTV needs a winch and center mounting kit.






## Product package

## Prices VAT 0%

Standard package



	Flail mower 120 ATV	Code number	Customer price
	Flailmower	74130464	2 734 €
	Hammer Blades 22 pcs	74130507	266 €
	Side shift kit	74130717	241 €
	Lock hook mounting 16/19/20 mm 2 pcs	74130298	32 €



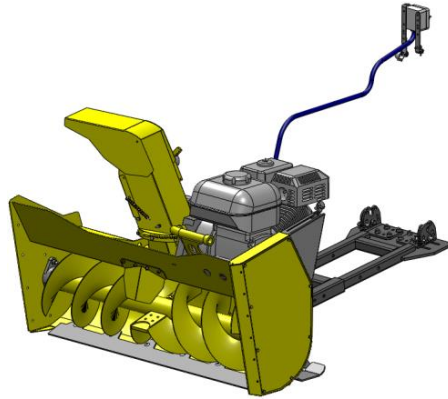
Rammy is ready for use. Engine has oil in ready. ATV or UTV needs a winch and center mounting kit.



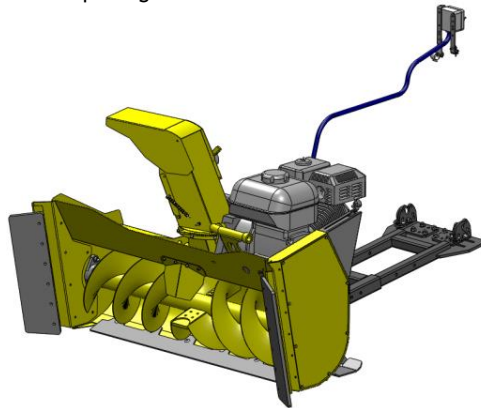
## Product package

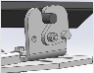
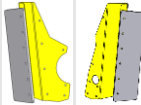
## Prices VAT 0%

120 ATV EC, 306 cm<sup>3</sup>  
Standard package



140 ATV EC, 306cm<sup>3</sup>  
Standard package



	Snow blower 120 ATV	Code number	Customer price
<b>120 ATV</b>	306 cm <sup>3</sup> engine electric start, electric control	74131062	3218 €
	Lock hook mounting 16/19/20 mm 2 pcs	74130298	32 €
	140 cm width, only wings + rubbers, pair	74131165	242 €

	Snow blower 140 ATV	Code number	Customer price
120 ATV + wings = 140 ATV	306 cm <sup>3</sup> engine electric start, electric control	74131173	3460 €
<b>140 ATV</b>	Lock hook mounting 16/19/20 mm 2 pcs	74130298	32 €

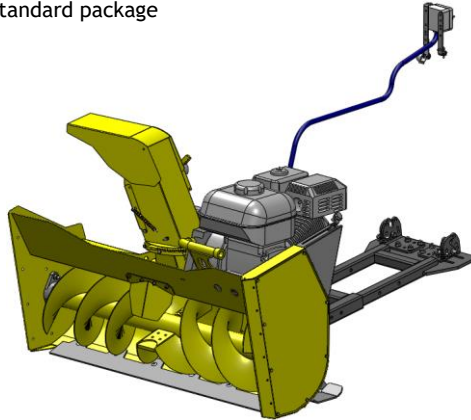


Rammy is ready for use. Engine has oil in ready. ATV or UTV needs a winch and center mounting kit.

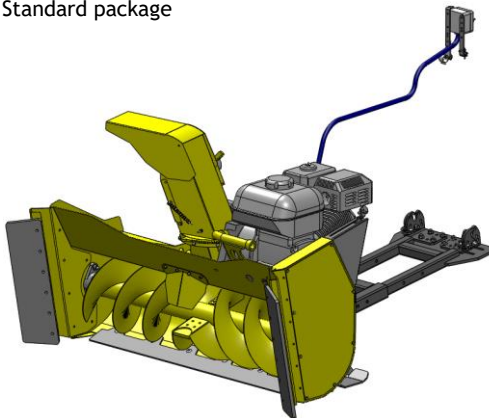


## Product package

120 ATV PRO, 420cm3  
Standard package


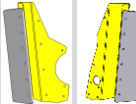


140 ATV PRO, 420cm3  
Standard package




## Prices VAT 0%

### PROFESSIONAL SERIES

	Snowblower 120 ATV <b>PRO</b>	Code number	Customer price
	420 cm3 engine, electric start, electric control	74131176	3589 €
	Lock hook mounting 16/19/20 mm 2 pcs	74130298	32 €
	140 cm width, only wings + rubbers, pair	74131165	242 €

### PROFESSIONAL SERIES

	Snowblower 140 ATV <b>PRO</b>	Code number	Customer price
120 ATV + wings = 140 ATV	420 cm3 engine, electric start, electric control	74131189	3831 €
	Lock hook mounting 16/19/20 mm 2 pcs	74130298	32 €

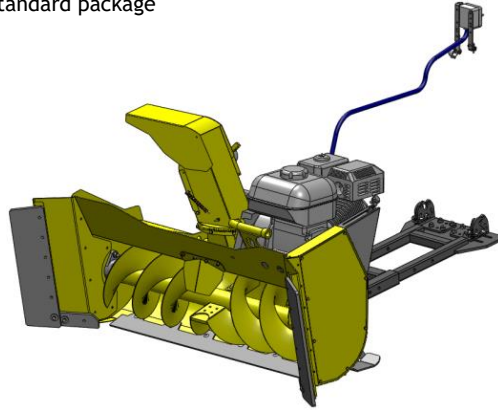


Rammy is ready for use. Engine has oil in ready. ATV or UTV needs a winch and center mounting kit.



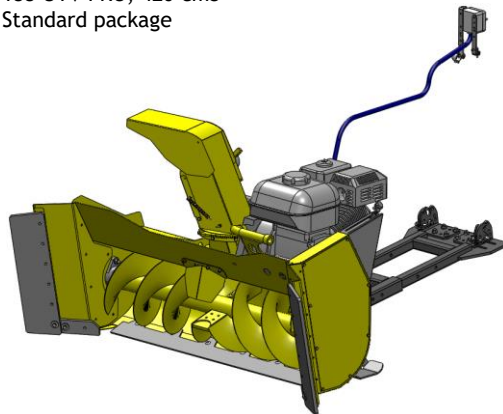
## Product package

155 UTV, 306 cm<sup>3</sup>  
Standard package






### PROFESSIONAL SERIES

155 UTV PRO, 420 cm<sup>3</sup>  
Standard package



## Prices VAT 0%

120 ATV + wings 155 cm = 155 UTV	Snowblower 155 UTV	Code number	Customer price
	306 cm <sup>3</sup> engine, electric start, electric control	74131284	3540 €
	Lock hook mounting 16/19/20 mm 2 pcs	74130298	32 €
	155 cm width, only wings + rubbers, pair	74131285	323 €







120 ATV + wings 155 cm = 155 UTV	Snowblower 155 UTV <b>PRO</b>	Code number	Customer price
	420 cm <sup>3</sup> engine, electric start, electric control	74131286	3912 €
	Lock hook mounting 16/19/20 mm 2 pcs	74130298	32 €



Most common models.  
Normally in stock.  
Other models are also available.



## Center mounting kits Prices VAT 0%

	Code	Name	For fit	For fit	For fit	Price
	03-4000	Center mounting kit - Mounting bracket <b>super universal</b> Ø10 mm pins	super universal for Ø10 mm pins	Fits for most ATV's with tubular type of chassis/frames.	Make sure the suitability of ATV	104,5 €
	03-11300	Center mounting kit - Mounting bracket <b>CF MOTO</b> Ø10 mm pins	CFORCE 600 (2020+) CFORCE 600 Touring (2020+) CFORCE 625 CFORCE 625 Touring			104,5 €
 <small>Kimpex Click N Go 2 mounting kit for lock hook 75-373951 (semi universal for all ATVs) 19 mm</small>	75-373951	Center mounting kit - Mounting bracket <b>semi universal</b> for lock hooks 19mm	semi universal for Ø19 mm lock hooks	Kimpex Click N & Go 2	Make sure the suitability of ATV	104,5 €
	03-5000	Center mounting kit - Mounting bracket <b>Polaris</b> Ø10 mm pins	Polaris Sportsman 450/570/ETX for Ø10 mm pins			104,5 €
	03-3500	Center mounting kit - Mounting bracket <b>CanAm</b> G2 Ø10 mm pins	Outlander 6x6 (2013-2016) Outlander 6x6 (2019+) Outlander 6x6 MAX (2017-2018) Outlander 6x6 MAX (2019+) Outlander G2 (-2016) Outlander G2 450/570 (2017+) Outlander G2 450/570 MAX (2017+) Outlander G2 650/850/1000 (2017-2018) Outlander G2 650/850/1000 (2019+)	Outlander G2 L MAX Outlander G2 MAX (-2016) Outlander X MR 1000 (-2016) Outlander X MR 1000 (2017-2018) Outlander G2 650/850/1000 MAX (2017-2018) Outlander G2 650/850/1000 MAX (2019+) Outlander G2 L	Outlander X MR 1000 (2019+) Outlander X MR 650/800/850 (-2016) Outlander X MR 650/850 (2017-2018) Outlander X MR 650/850 (2019+) Renegade G2 (-2016) Renegade G2 (2017-2018) Renegade G2 (2019+) Renegade X MR (-2016) Renegade X MR (2017-2018) Renegade X MR (2019+)	104,5 €
	03-5400	Center mounting kit - Mounting bracket <b>Polaris</b> Ø10 mm pins	Polaris 570 Touring X2 6x6 Big Boss for Ø10 mm pins			104,5 €



Most common models.  
Normally in stock.  
Other models are also available.



## Center mounting kits Prices VAT 0%

	Code	Name	For fit	For fit	For fit	Price
	03-1700	Center mounting kit - Mounting bracket <b>Polaris</b> Ø10 mm pins	Scrambler 850/1000 (-2014) Scrambler 850/1000 (2015+) Sportsman 1000 (-2016) Sportsman 1000 (2017+) Sportsman 550 Sportsman 850 (-2014) Sportsman 850 (2015+)	Sportsman Touring 550 Sportsman Touring 850 (-2014) Sportsman Touring 850 (2015+) Sportsman Touring XP 1000 (-2017) Sportsman Touring XP 1000 (2018+)		104,5 €
	03-9400	Center mounting kit - Mounting bracket <b>Kymco</b> Ø10 mm pins	MXU 700 (-2019) MXU 700 (2020+)			104,5 €
	03-8500	Center mounting kit - Mounting bracket <b>CF MOTO</b> Ø10 mm pins	CFORCE 1000 CFORCE 850			104,5 €
	03-2400	Center mounting kit - Mounting bracket <b>TGB</b> Ø10 mm pins	425 Blade 550 Blade 600 Blade 600 LT Blade			104,5 €
	03-1560	Center mounting kit - Mounting bracket <b>Polaris</b> G2 Ø10 mm pins	Sportsman 400 (-2010) Sportsman 400 (2011+) Sportsman 450 (-2010) Sportsman 450 (2011+) Sportsman 500 (-2010) Sportsman 500 (2011+) Sportsman 800 (2011+)			104,5 €
	03-6600	Center mounting kit - Mounting bracket <b>CF Moto</b> Ø10 mm pins	CFORCE 450/520-L CFORCE 450/520-S CFORCE 550 CFORCE 600 Cobalt / Iron Cobalt / Iron MAX			104,5 €